



FP12YLT

Landscape touring yoke for FlexPoint FP12

Features

- Landscape orientation touring yoke
- Stand mount when used with pole mount adaptor ASF20045 (available separately)
- Truss mount when used with a third-party half-coupler
- Quick deployment with no tools required
- Central hole: 12.5 mm (0.49 in); two inner holes: 12.5 mm (0.49 in); two outer holes: 8.2 mm (0.32 in)
- Available in black (FP12YLT-B)

Applications

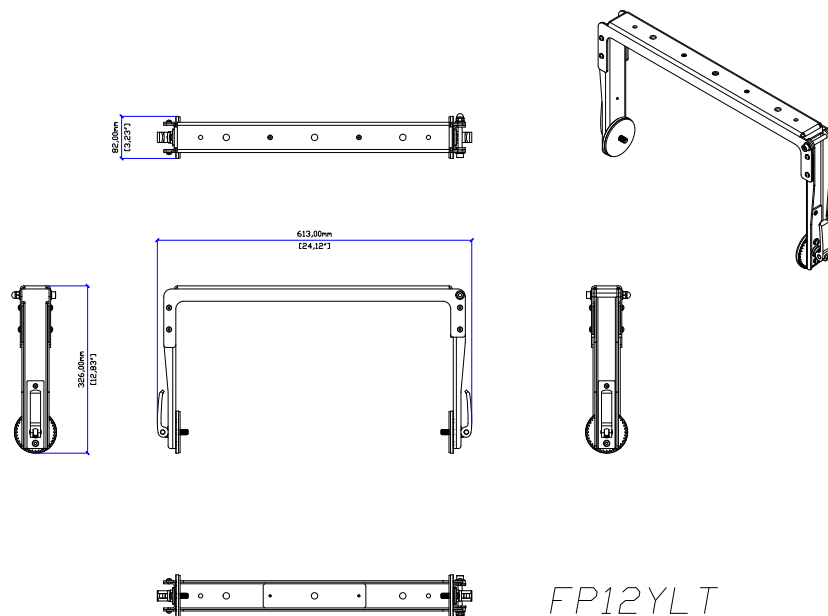
- Touring flown FlexPoint FP12
- Touring pole mounted FlexPoint FP12

Contents

- 1 x FP12YLT-B yoke

Technical Specifications

Weight:	4.0 kg (8.82 lb)
Material:	Weatherised polyester powder-coated steel



FP12YLT